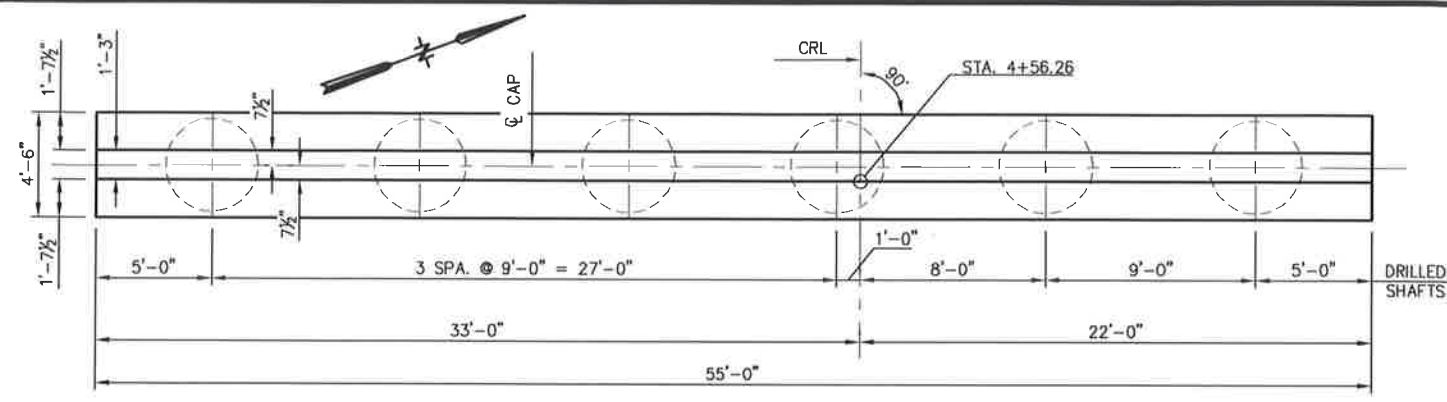
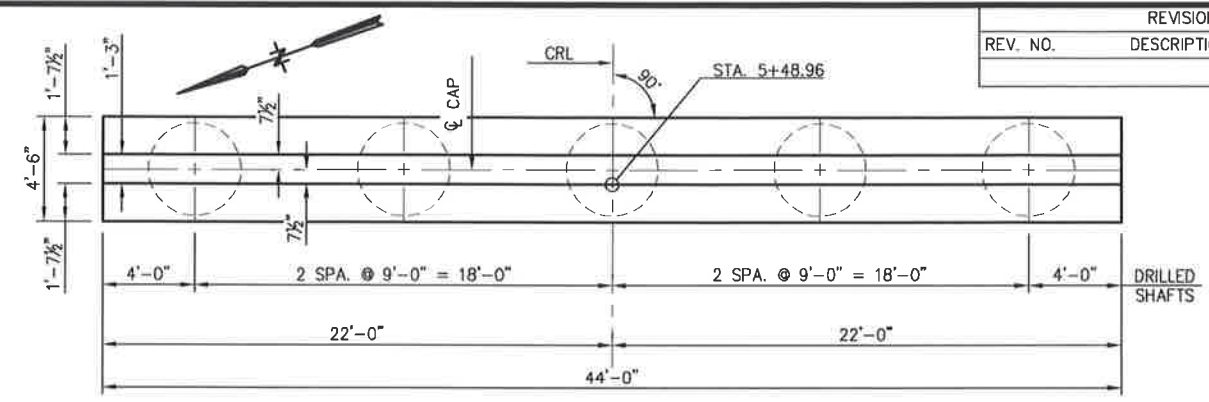


N:\JOBS\CED3\ Dairy Lane Over UPRR\DWG\Dairy Lane Retaining Wall.dwg, PLAN AND ELEVATION, 6/21/2017 9:23:20 AM

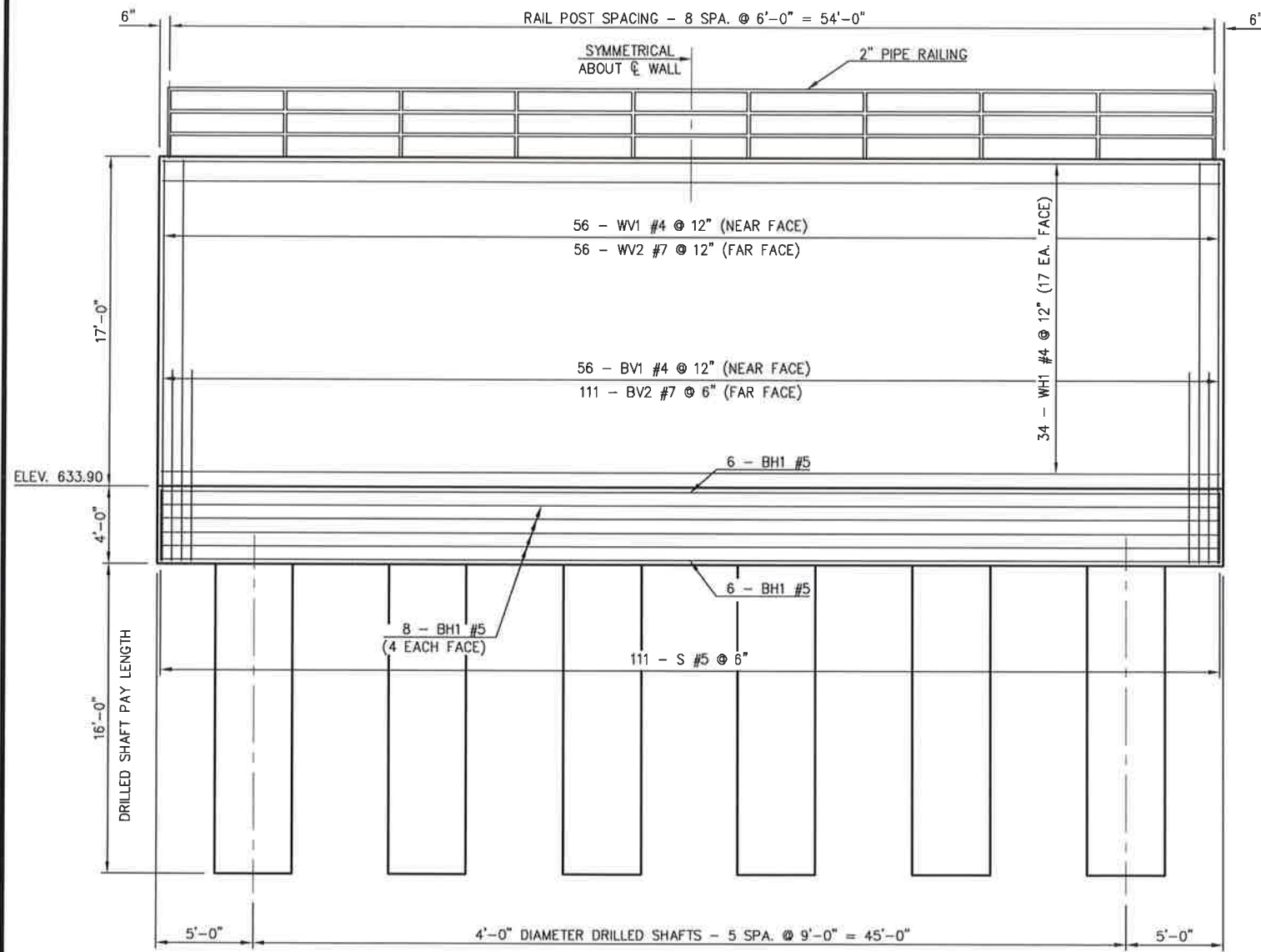
REV. NO.	DESCRIPTION	DATE



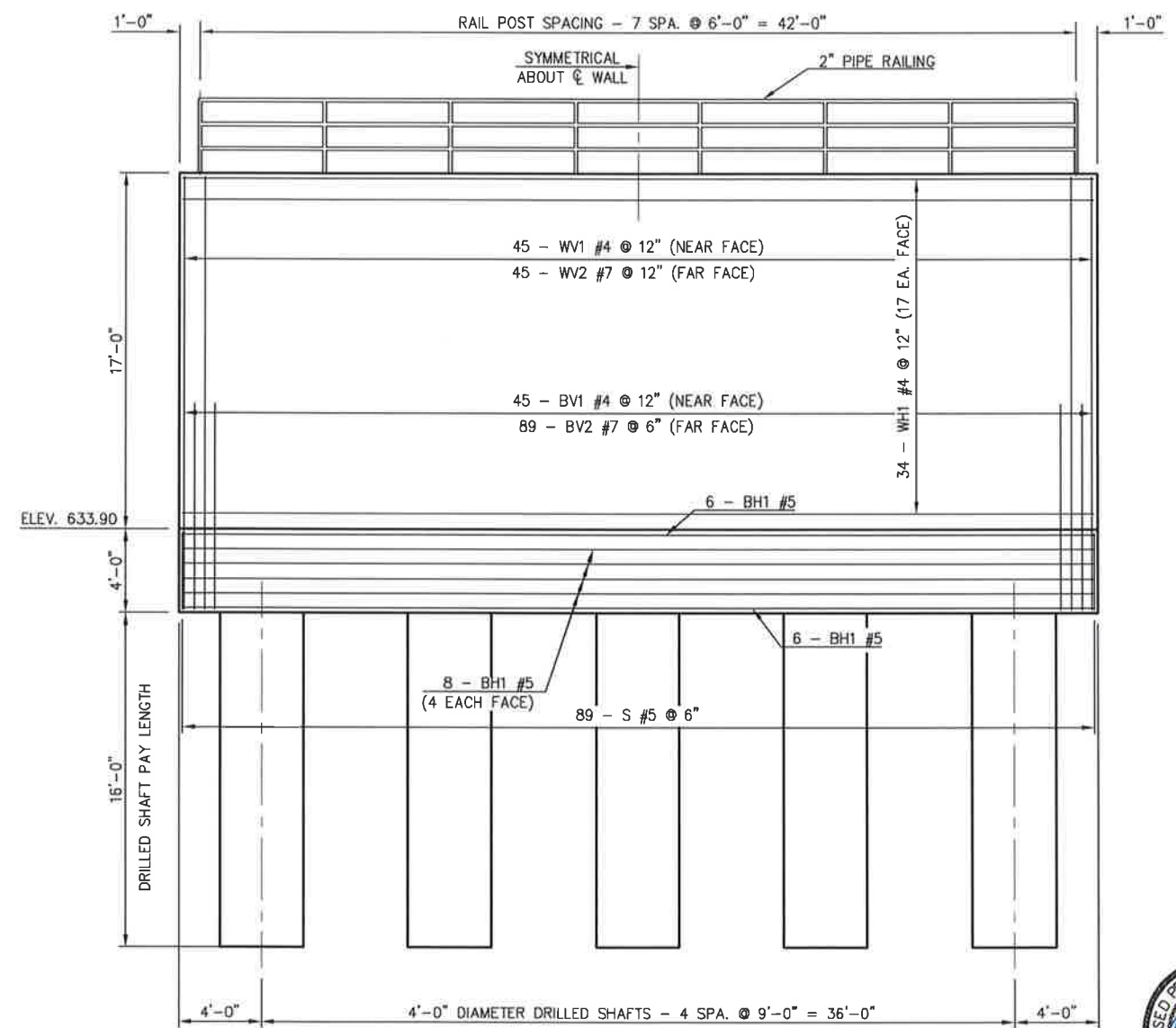
PLAN - WEST RETAINING WALL



PLAN - EAST RETAINING WALL



ELEVATION - WEST RETAINING WALL
(LOOKING BACK ON STATIONING)



ELEVATION - EAST RETAINING WALL
(LOOKING AHEAD ON STATIONING)



6-21-17

DESIGN		E-1844/DAIRY LANE OVER UPRR	ATOKA COUNTY
DETAIL		RETAINING WALL PLAN AND ELEVATION	
CHECK			
NEO DESIGN LLC		STATE JOB PIECE NO. 31169(04)	SHEET NO. 8001